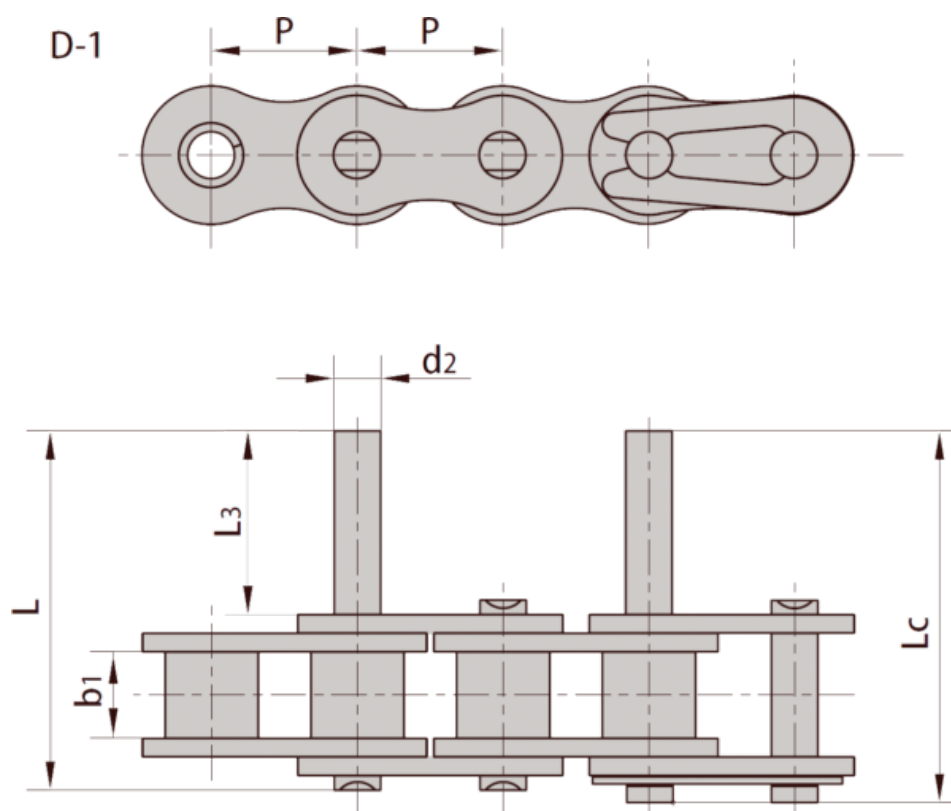


Article number: 6100110051071

Description: 08B1

Extended pin one side only, connecting link

## Measures



b1 = 7.75  
d2 = 4.45  
L = 25.1  
L3 = 9.5  
Lc = 26.6  
P = 12.700